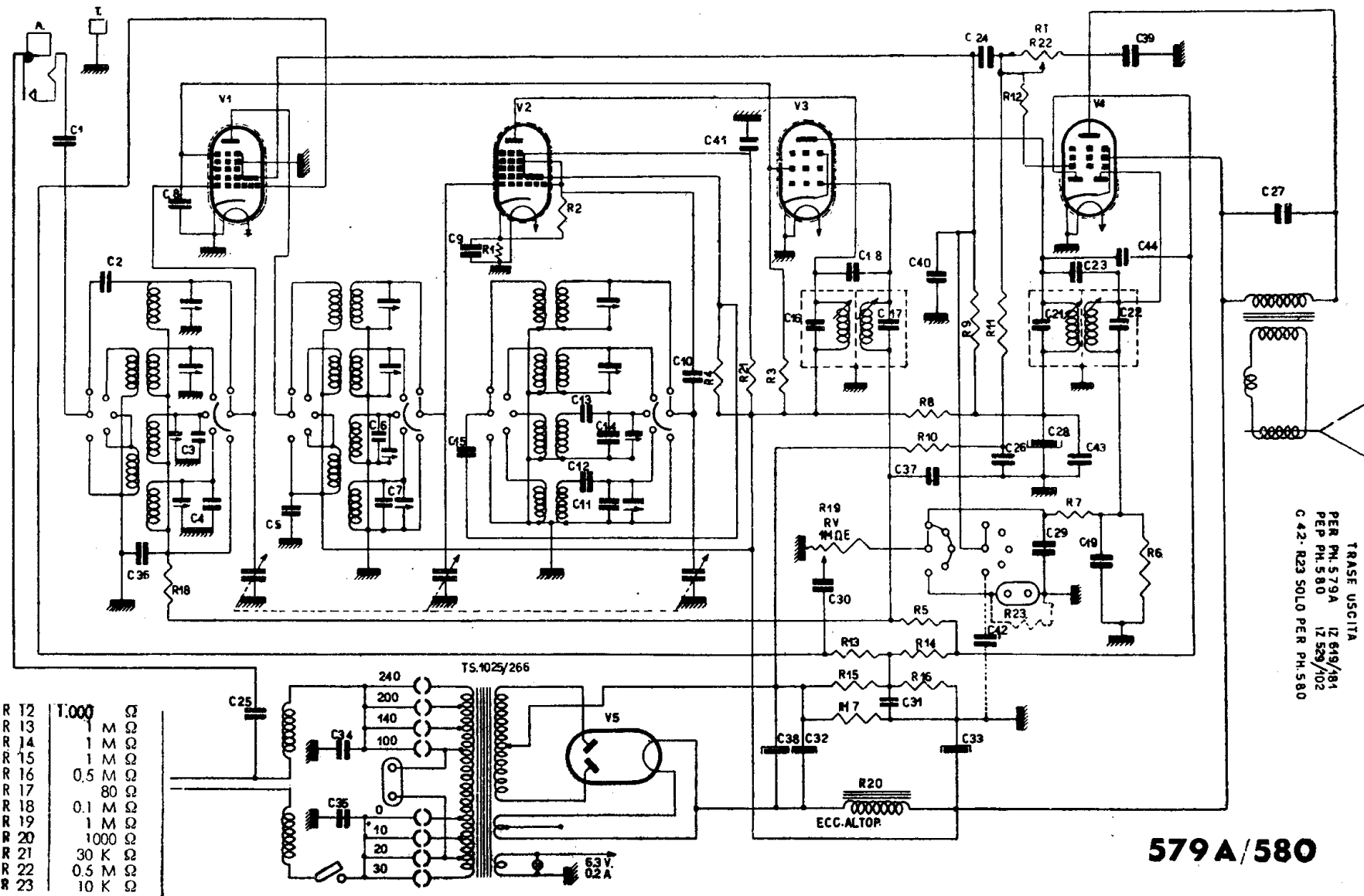


C 1	2000	pf
C 2	15	pf
C 3	15	pf
C 4	15	pf
C 5	50.000	pf
C 6	15	pf
C 7	15	pf
C 8	60.000	pf
C 9	50.000	pf
C 10	50	pf
C 11	20	pf
C 12	250	pf
C 13	450	pf
C 14	20	pf
C 15	500	pf
C 16	240	pf
C 17	240	pf
C 18	2	pf
C 19	100	pf
C 20	240	pf
C 21	240	pf
C 22	240	pf
C 23	1.6	pf
C 24	25.000	pf
C 25	5.000	pf
C 26	100.000	pf
C 27	5000	pf
C 28	4	uf
C 29	100	pf
C 30	100.000	pf
C 31	100.000	uf
C 32	8	uf
C 33	8	uf
C 34	5000	pf
C 35	5000	pf
C 36	25.000	pf
C 37	25.000	pf
C 38	8	uf
C 39	25.000	pf
C 40	10.000	pf
C 41	25.000	pf
C 42	5.000	pf
C 43	50.000	pf
C 44	50	pf
R 1	300	Ω
R 2	50 K	Ω
R 3	25 K	Ω
R 4	50 K	Ω
R 5	1 M	Ω
R 6	0.5 M	Ω
R 7	0.1 M	Ω
R 8	6 K	Ω
R 9	30 K	Ω
R 10	50.000	Ω
R 11	.025	M Ω
R 12	1.000	Ω
R 13	M	Ω
R 14	1 M	Ω
R 15	1 M	Ω
R 16	0.5 M	Ω
R 17	80	Ω
R 18	0.1 M	Ω
R 19	1 M	Ω
R 20	1000	Ω
R 21	30 K	Ω
R 22	0.5 M	Ω
R 23	10 K	Ω



TRASE USCITA  
 PER PH. 579A 1Z 619/81  
 PER PH. 580 1Z 529/102  
 C 42-R23 SOLO PER PH. 580

**579A/580**

PHONOLA RADIO - Mod. 579/A 580 - Medie: 190-350 m. 320-600 m. Corte: 13-27 m, 26-34 m. Posizione compensatori v. mod. 624. Tensioni: 240 V placche, 110 V schermi, 95 V placche triodi, 80 V eccitazione, -6 V griglia finale. MF 470 kc, uscita 3,5 W, consumo 70 W.

**PHONOLA - Mod. 579 A, 580**